

LX-300M



Biological Microscope

- Excellent image quality with infinitive optical system
- Comfortable operating with ergonomic structure
- Better illumination with sliding-in centerable condenser, Convenient replacement with phase contrast and dark field condenser



Extra wide field eyepiece
EW10X/20 with diopter
adjustment as optional



Comfortable observation
with adjustable eyepiece
height and interpupillary
distance



Sliding-in centerable
condenser



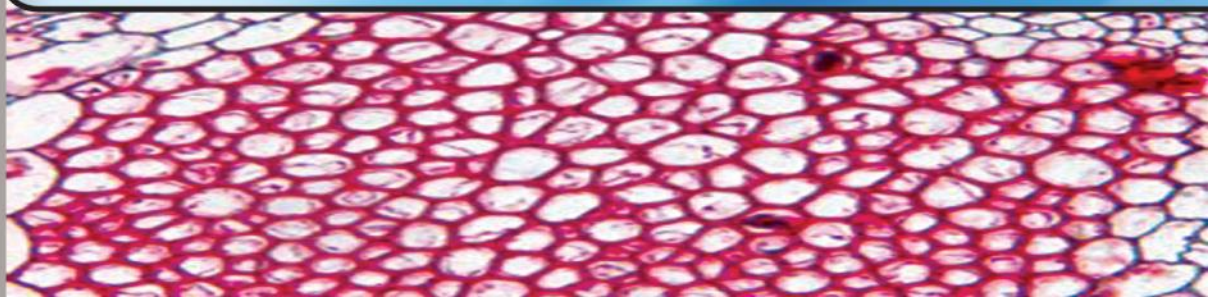
Handle for easy carrying



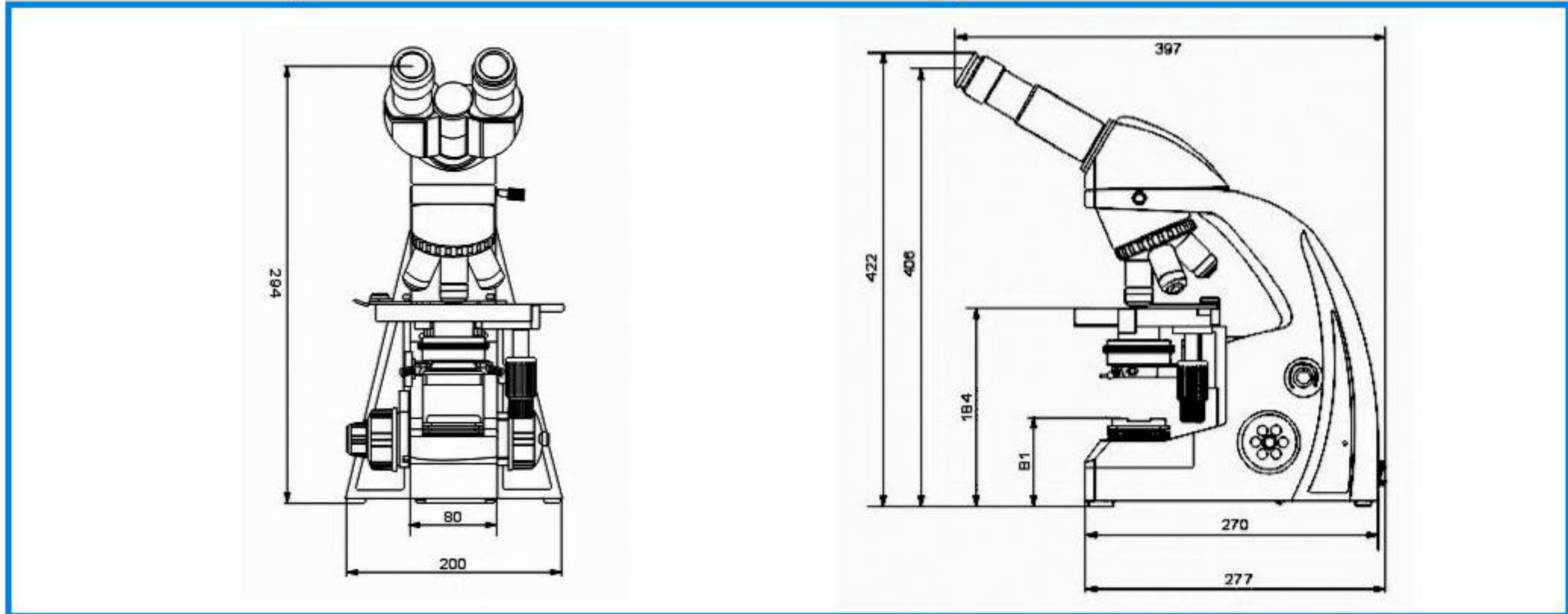
Lamp replacement by direct
removing housing



LX-300M



LX-300M System Dimension Drawing



Specification

Viewing Head	Siedentopfbinocular head, 30° inclined, interpupillary distance 48-75mm	●	
	Siedentopftrinocular head, 30° inclined, interpupillary distance 48-75mm	○	
Eyepiece	Wide Field Eyepiece WF 10X/18	●	
	Extra wide field eyepiece EW10X/20 with diopter adjustment	○	
Objective	Infinitive Semi-plan achromatic objectives	4X	●
		10X	●
		40X	●
		100X	●
Nosepiece	Quadruple Nosepiece	●	
Stage	Double layers mechanical stage 140mmX140mm / 75mmX50mm	●	
Condenser	Sliding-in centerable condenser NA1.25	●	
Focusing	Coaxial coarse and fine adjustment, moving range 20mm	●	
Illumination	220V or 110V/6V20W Halogen lamp, Brightness Adjustable.	●	
Phase Contrast Kit		○	
Dark Field Attachment		○	

Note: ● Standard Outfit, ○ Optional

